



NW-M16

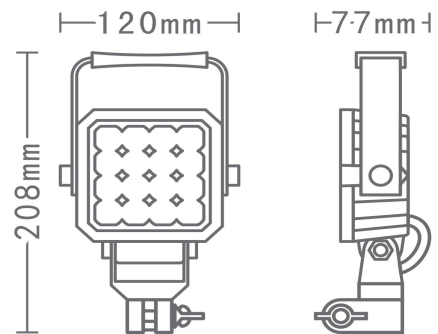
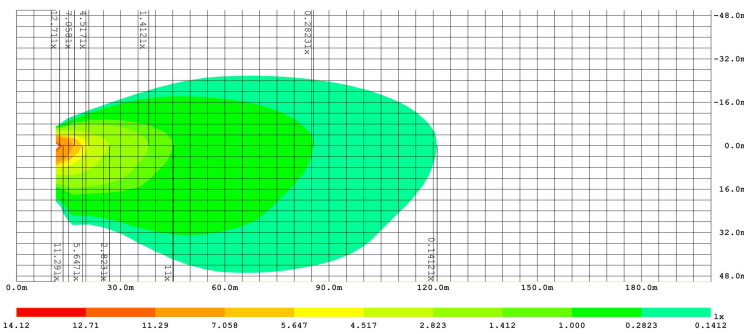


NW-M16, the magnetic and rechargeable work light, it is made of aluminum housing and heat-resistant plastic

Built-in rechargeable battery, can be recharged by 12V DC car charger and 100-240V AC/DC standard power adapter

Charge it 5 hours(fully charged), and use it 1.5hours

Adjustable bracket provides multi-angle illumination, magnet base and portable handle make your hand free to do other things in the night. Great for car repair, home lighting, camping, hiking, power outages, emergency



| CODE | Spec |
|---------------------|-----------------|
| LED | 16 x 1W LED |
| Color Temp | 5700-6500K |
| Effective lum | 1000lm |
| Effective power | 12W |
| Waterproof | IP67 |
| Voltage | 6.0-8.4V |
| Dimension | 120 x 77 x208mm |
| Working temperature | -40-80°C |